

PANEL TYPE : STAR DELTA CONTROL PANEL

TECHNICAL DATA

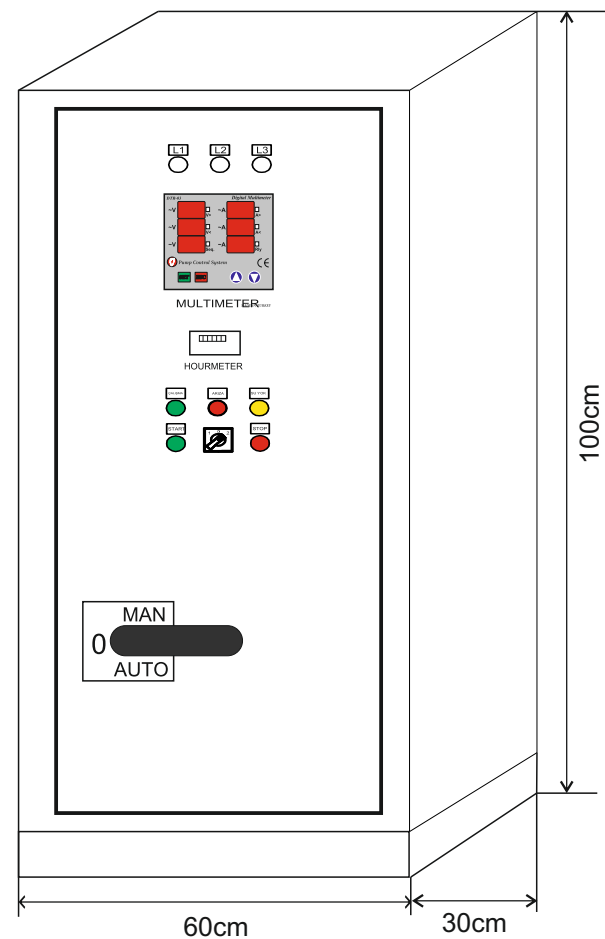
NUMBER OF PUMP : 1
PUMP POWER : 30KW
PUMP CURRENT : 52A
CONNECTION TYPE : START DELTA

SUPPLY VOLTAGE : 3X400 V /230V 50 Hz AC , PE
PROTECT : IP 55

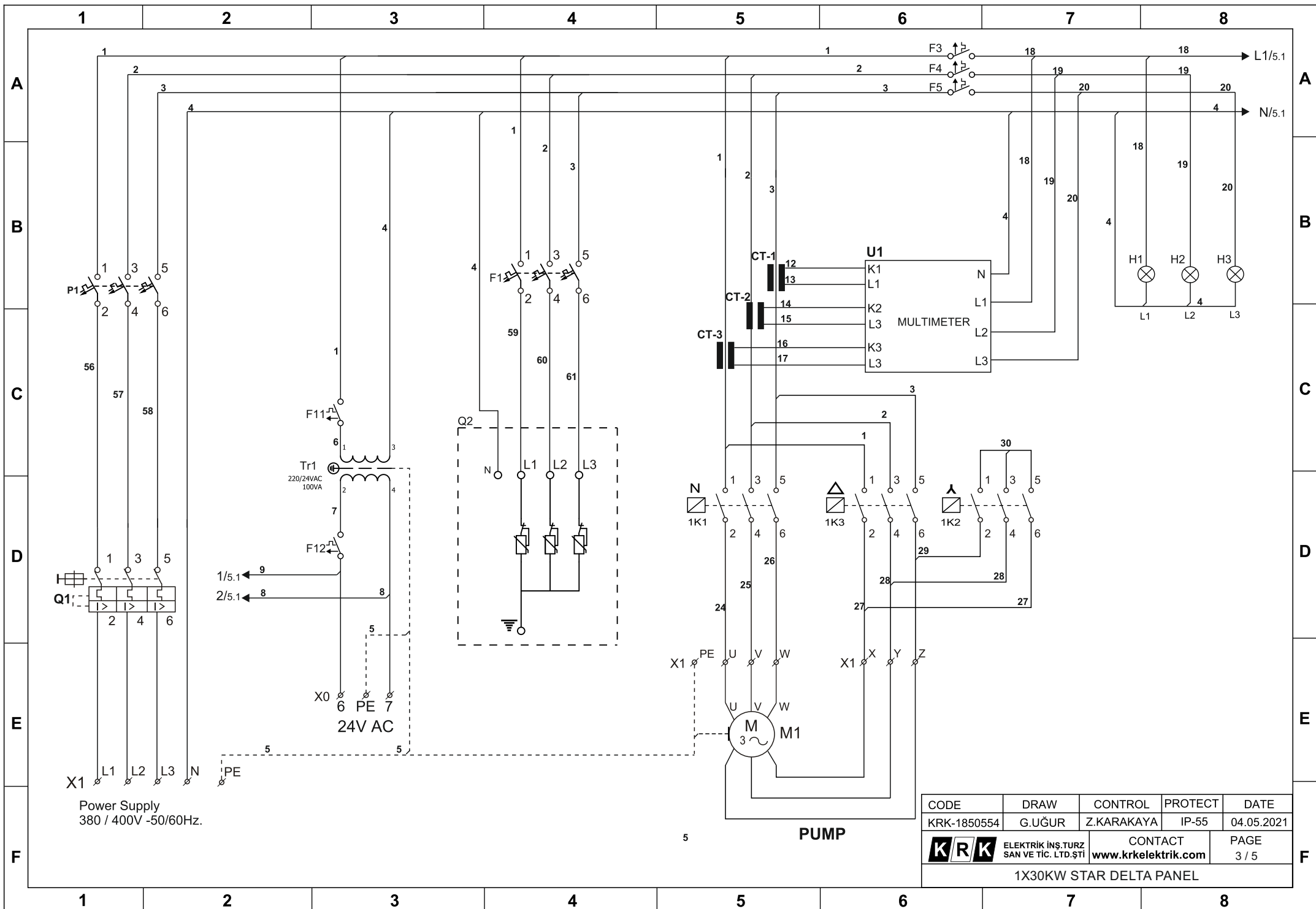
CODE	DRAW	CONTROL	PROTECT	DATE
KRK-1850554	G.UĞUR	Z.KARAKAYA	IP-55	04.05.2021
 ELEKTRİK İNŞ.TURİZ SAN VE TİC. LTD.ŞTİ	CONTACT www.krkelektrik.com		PAGE 1 / 5	
1X30KW STAR DELTA PANEL				

MATERIAL LIST

NO	PANEL CODE	PRODUCT CODE	DESCRIPTION	MARK
1	Q1		100A COMPACT	CHINT
2	F2		3X63A FUSE	CHINT
3	Q2		Ex9UE220275 3P+N	CHINT
4	U1	EM-07	MULTIMETER	TENSE
5	1K1 - 1K3	NC2-40	40A CONTACTOR	CHINT
6	1K2	NC2-25	25A CONTACTOR	CHINT
7	U2	BSS-02	LIQUID LEVEL CONTROL	BLACKSTN
8	U3	BPP-01	PTC PROTECT RELAY	BLACKSTN
9	F3-F4-F5	186417	10A CONTROL FUSE	CHINT
10	S1	629009	1 -0 - 2 PAKO SWITCH	LEGRAND
11	S2	BPB-G/K10	START SWITCH	BREKA
12	S3	BPB-R/K01	STOP SWITCH	BREKA
13	S4	BES-/K01	EMERGENCY STOP	BREKA
14	H1-H2-H3	BSLG230D	22mm SIGNAL LAMP	BREKA
15	H4-H5-H6-H7	BSLG230D	22mm SIGNAL LAMP	BREKA
16	CT-1/2/3	ESCT 2153	300A CURRENT TRANSFORMER	ZEMİNG
17	Zs1	630632	HOUR METER	BAUSER



CODE	DRAW	CONTROL	PROTECT	DATE
KRK-1850554	G.UĞUR	Z.KARAKAYA	IP-55	04.05.2021
KRK	ELEKTRİK İNŞ.TURZ SAN VE TİC. LTD.ŞTİ	CONTACT www.krkelektrik.com	PAGE 2 / 5	
1X30KW STAR DELTA PANEL				

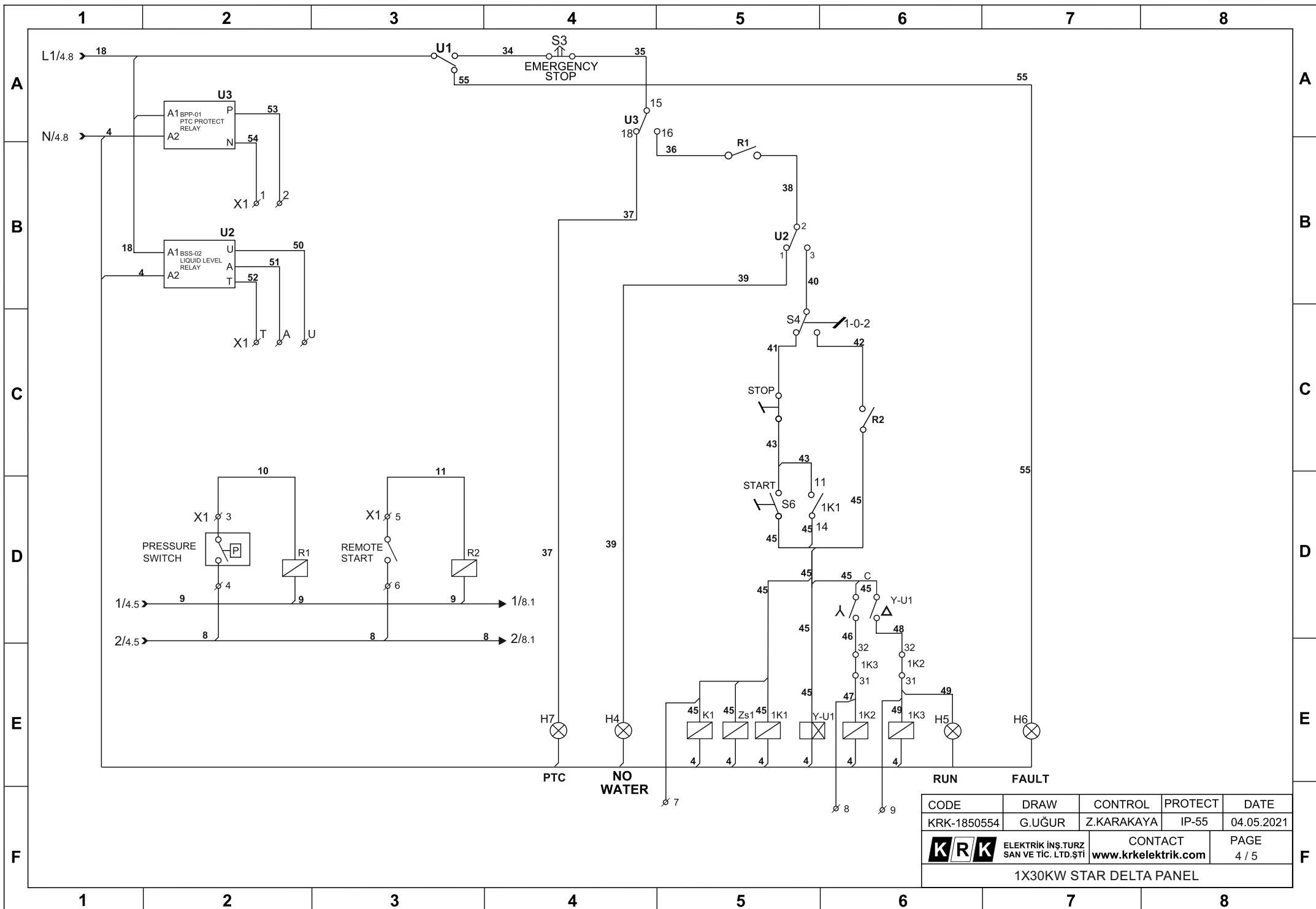


Power Supply
380 / 400V -50/60Hz.

CODE	DRAW	CONTROL	PROTECT	DATE
KRK-1850554	G. UĞUR	Z. KARAKAYA	IP-55	04.05.2021

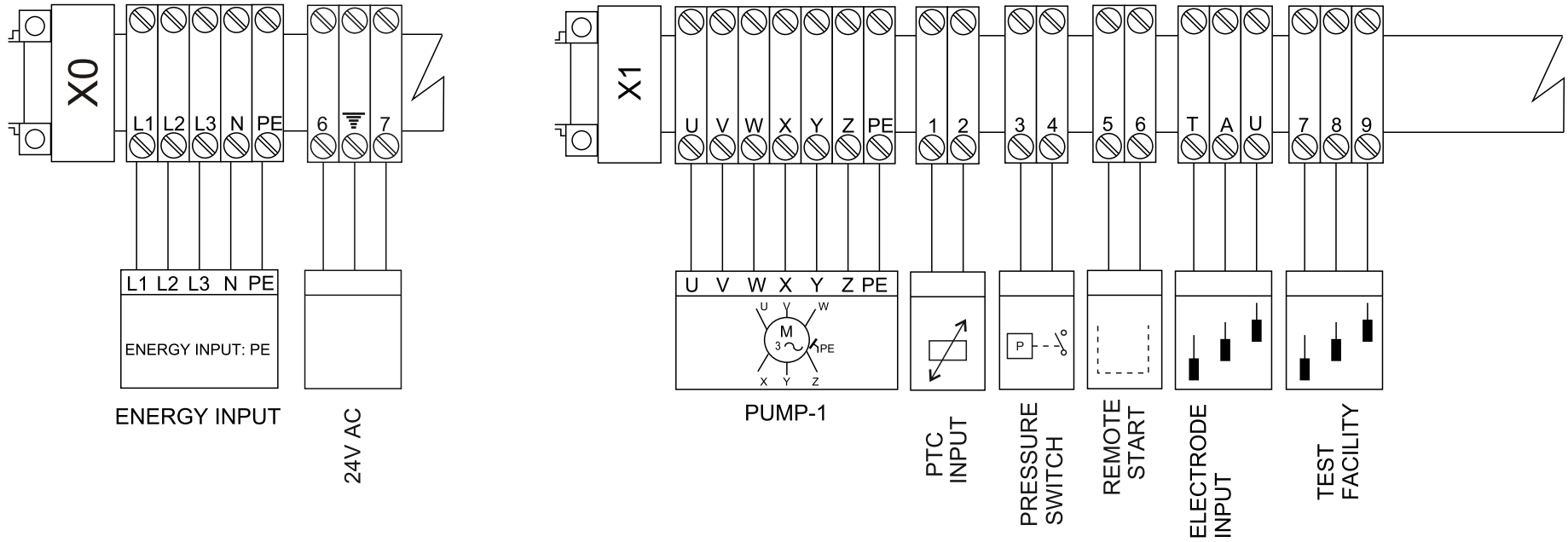
	ELEKTRİK İNŞ. TURZ SAN VE TİC. LTD. ŞTİ	CONTACT	PAGE
		www.krkelektrik.com	3 / 5

1X30KW STAR DELTA PANEL



CODE	DRAW	CONTROL	PROTECT	DATE
KRK-1850554	G. UĞUR	Z. KARAKAYA	IP-55	04.05.2021
KRK	ELEKTRİK İNŞ. TURİZM VE TİC. LTD. ŞTİ	CONTACT www.krkelektrik.com	PAGE 4 / 5	
1X30KW STAR DELTA PANEL				

CONNECTION DIAGRAM



CODE	DRAW	CONTROL	PROTECT	DATE
KRK-1850554	G.UĞUR	Z.KARAKAYA	IP-55	04.05.2021
ELEKTRİK İNŞ.TURZ SAN VE TİC. LTD.ŞTİ		CONTACT	PAGE	
		www.krkelektrik.com	5 / 5	
1X30KW STAR DELTA PANEL				