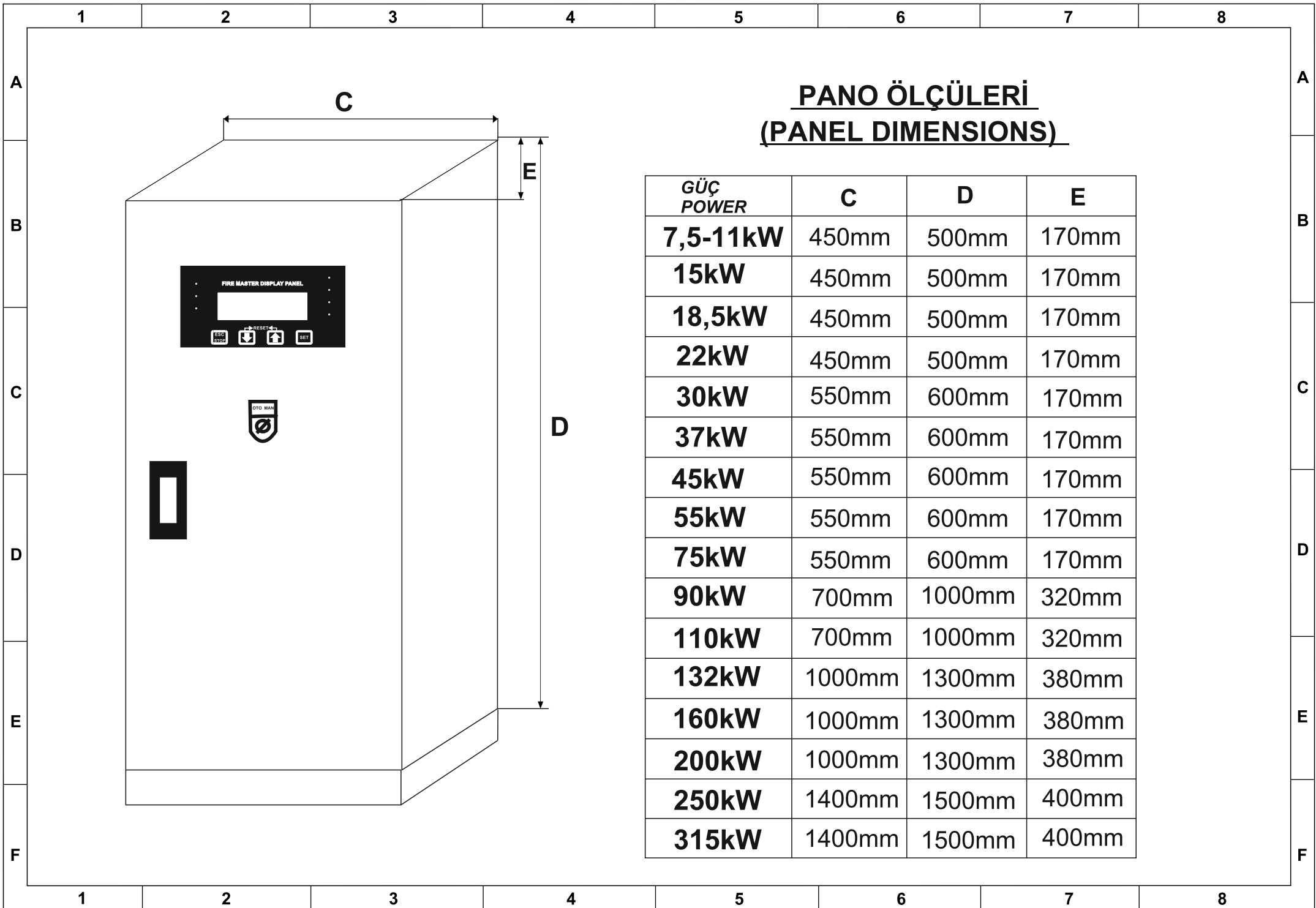


PANO TİPİ : OTOMATİK TESTLİ ELEKTRİKLİ YANGIN PANOSU

PANEL TYPE : AUTO TEST ELECTRICAL FIRE PANEL

TEKNİK BİLGİ (TECHNICAL INFO)

POMPA SAYISI (PUMP NUMBER)	: 1
POMPA GÜCÜ (PUMP POWER)	:kW
POMPA AKIM (PUMP CURRENT)	:A
VERSİYON (VERSION)	: K.2.5.16-1
BESLEME GERİLİMİ (SUPPLY VOLTAGE)	: 3X400 V / 230 V 50-60 Hz. AC , PE
ÇALIŞMA SICAKLIĞI (RUN HEAT)	: -20 / +50c
KORUMA SINIFI (PROTECTION CLASS)	: IP 55
PANO KODU (PANEL CODE)	: Y.OT.01/YU70 Y.OT.01/YU90 Y.OT.01/YU11 Y.OT.01/YU110 Y.OT.01/YU15 Y.OT.01/YU132 Y.OT.01/YU18 Y.OT.01/YU160 Y.OT.01/YU22 Y.OT.01/YU185 Y.OT.01/YU30 Y.OT.01/YU200 Y.OT.01/YU37 Y.OT.01/YU250 Y.OT.01YU45 Y.OT.01/YU315 Y.OT.01/YU55 Y.OT.01/YU355 Y.OT.01/YU75 Y.OT.01/YU400



PANO ÖLÇÜLERİ
(PANEL DIMENSIONS)

<i>GÜÇ POWER</i>	C	D	E
7,5-11kW	450mm	500mm	170mm
15kW	450mm	500mm	170mm
18,5kW	450mm	500mm	170mm
22kW	450mm	500mm	170mm
30kW	550mm	600mm	170mm
37kW	550mm	600mm	170mm
45kW	550mm	600mm	170mm
55kW	550mm	600mm	170mm
75kW	550mm	600mm	170mm
90kW	700mm	1000mm	320mm
110kW	700mm	1000mm	320mm
132kW	1000mm	1300mm	380mm
160kW	1000mm	1300mm	380mm
200kW	1000mm	1300mm	380mm
250kW	1400mm	1500mm	400mm
315kW	1400mm	1500mm	400mm

1

2

3

4

5

6

7

8

MALZEME TABLOSU**MATERIAL TABLE**

CODE POWER	Q	1K1	1K2	1K3
7,5kW	40A	12A	12A	12A
11kW	40A	18A	18A	12A
15kW	50A	25A	25A	12A
18,5kW	50A	25A	25A	12A
22kW	63A	32A	32A	18A
30kW	100A	40A	40A	25A
37kW	100A	40A	40A	25A
45kW	125A	50A	50A	40A
55kW	125A	65A	65A	40A
75kW	160A	80A	80A	50A

CODE POWER	Q	1K1	1K2	1K3
90kW	250A	115A	115A	80A
110kW	250A	115A	115A	80A
132kW	250A	150A	150A	115A
160kW	400A	185A	185A	150A
185kW	400A	225A	225A	185A
200kW	400A	225A	225A	185A
250kW	630A	265A	265A	185A
315kW	630A	400A	400A	265A
355kW	630A	400A	400A	300A
400kW	800A	500A	500A	300A

1

2

3

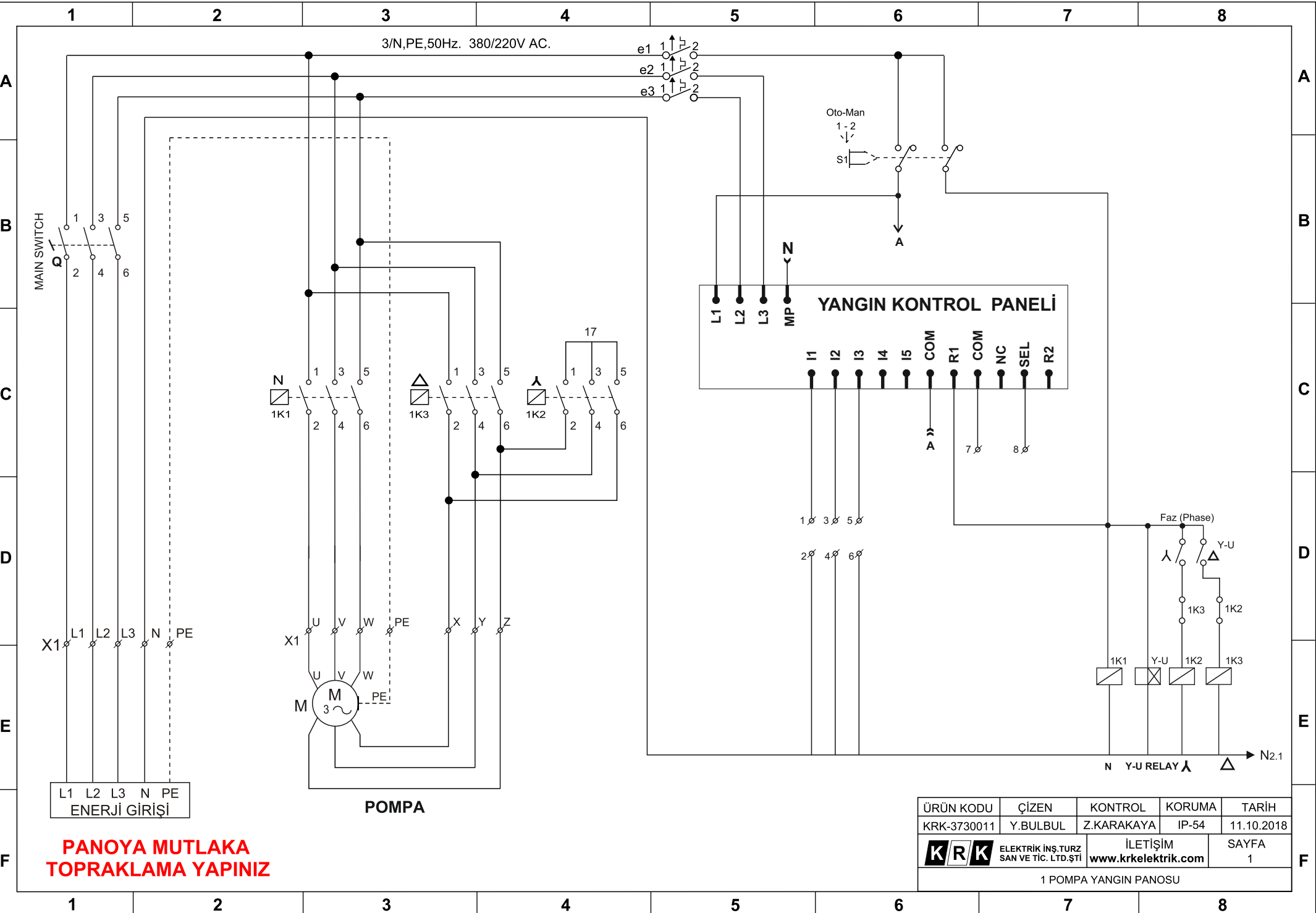
4

5

6

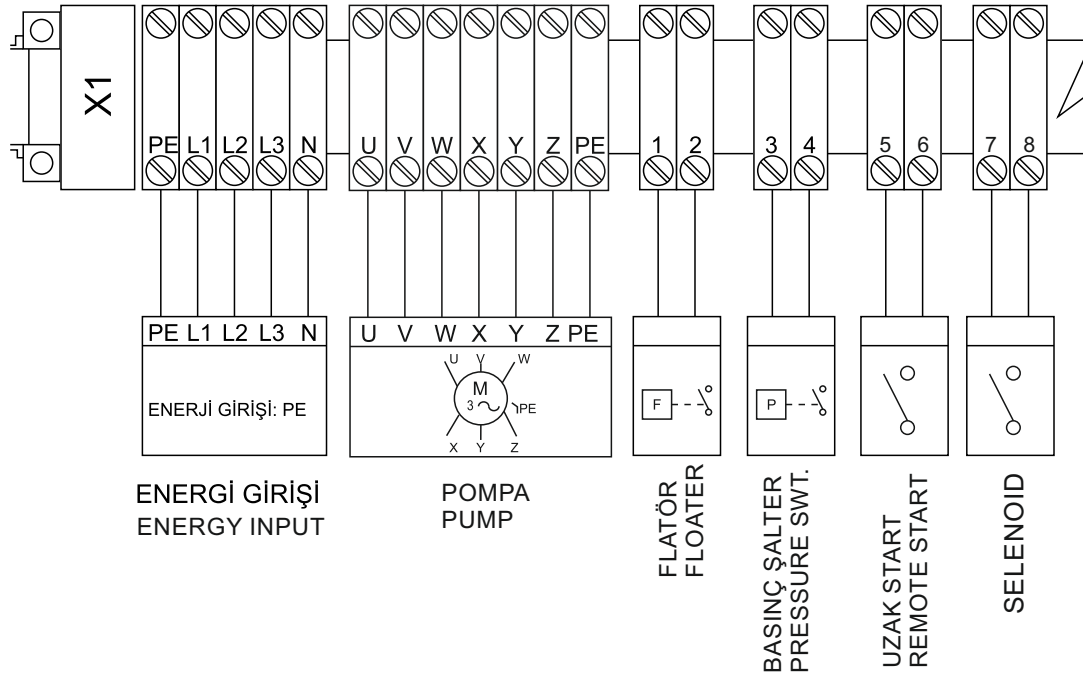
7

8



ÜRÜN KODU	ÇİZEN	KONTROL	KORUMA	TARİH
KRK-3730011	Y.BULBUL	Z.KARAKAYA	IP-54	11.10.2018
KRK	ELEKTRİK İNŞ.TURZ SAN VE TİC. LTD.ŞTİ	İLETİŞİM	www.krkelektrik.com	SAYFA 1
1 POMPA YANGIN PANOSU				

BAĞLANTI ŞEMASI / CONNECTION DIAGRAM



ÜRÜN KODU	ÇİZEN	KONTROL	KORUMA	TARİH
KRK-3730011	Y.BULBUL	Z.KARAKAYA	IP-54	11.10.2018
KRK ELEKTRİK İNŞ.TURZ SAN VE TİC. LTD.ŞTİ	İLETİŞİM www.krkelektrik.com		SAYFA 1	
1 POMPA YANGIN PANOSU				